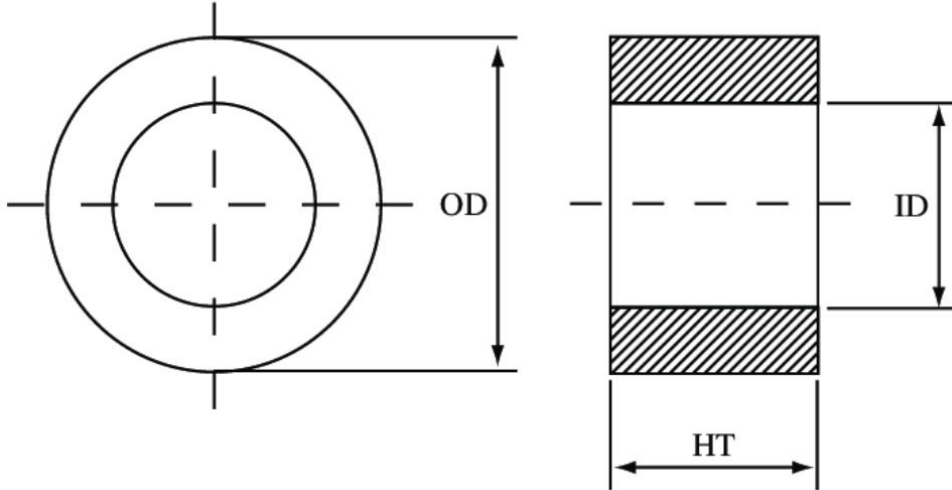


NANOCRYSTALLINE MINIATURE CORES

PART#: 13-9.5-5



CORE AND CASE DIMENSIONS

CORE OD MM	CORE ID MM	CORE HT MM	CASE OD MM	CASE ID MM	CASE HT MM
13.00	9.50	5.00	14.40	8.30	6.40

CORE SPECIFICATIONS

- Outer Diameter D: 13mm (+0.5/-0)mm
- Inner Diameter d: 9.5mm (-0.5/+0)mm
- Height h: 5mm (+0.2/-0)mm
- Cross-Sectional Area A_e : 0.07cm²
- Mean Magnetic Path Length l_e : 3.53cm
- Stacking Factor: 80%
- Average Core Weight: 1.8grams
- Operating Temperature: -25°C~+110°C
- Max Temperature:- 130°C
- Input Current (mA):- 25mA
- Guaranteed Minimum Output Voltage (mV): 1.20mV
- Frequency: 50Hz
- $Als(\mu H)$ Typical: 35 μH (@1KHZ/1.0V)

