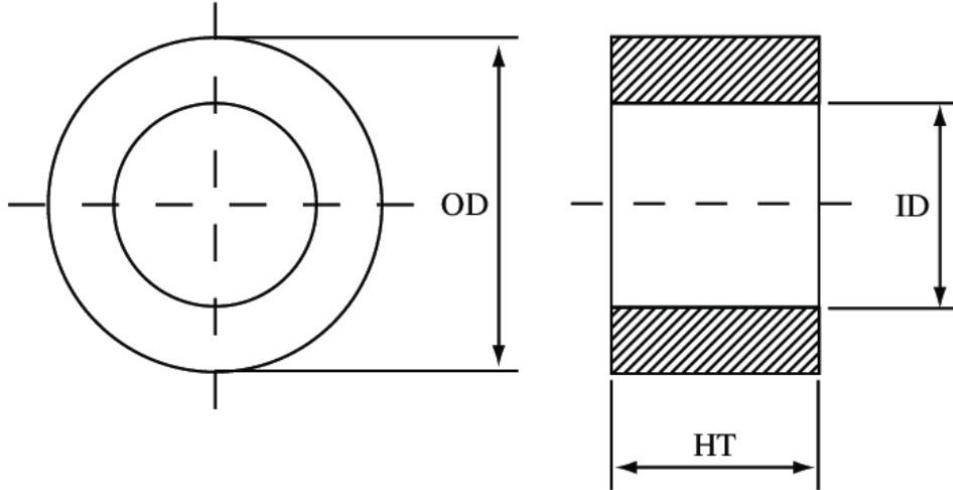


NANOCRYSTALLINE MINIATURE CORES

PART#: 14.4-9.8-10



CORE AND CASE DIMENSIONS

CORE OD MM	CORE ID MM	CORE HT MM	CASE OD MM	CASE ID MM	CASE HT MM
14.40	9.80	10.0	15.90	8.30	12.00

CORE SPECIFICATIONS

- Outer Diameter D: 14.4mm (+0.5/-0)mm
- Inner Diameter d: 9.8mm (-0.5/+0)mm
- Height h: 10mm (+0.2/-0)mm
- Cross-Sectional Area A_e : 0.18cm²
- Mean Magnetic Path Length l_e : 3.8cm
- Stacking Factor: 80%
- Average Core Weight: 5.2grams
- Operating Temperature: -25°C~+110°C
- Max Temperature:- 130°C
- Input Current (mA):- 25mA
- Guaranteed Minimum Output Voltage (mV): 2.0mV
- Frequency: 50Hz
- $Al_s(\mu H)$ Typical: 20 μH (@1KHZ/1.0V)

