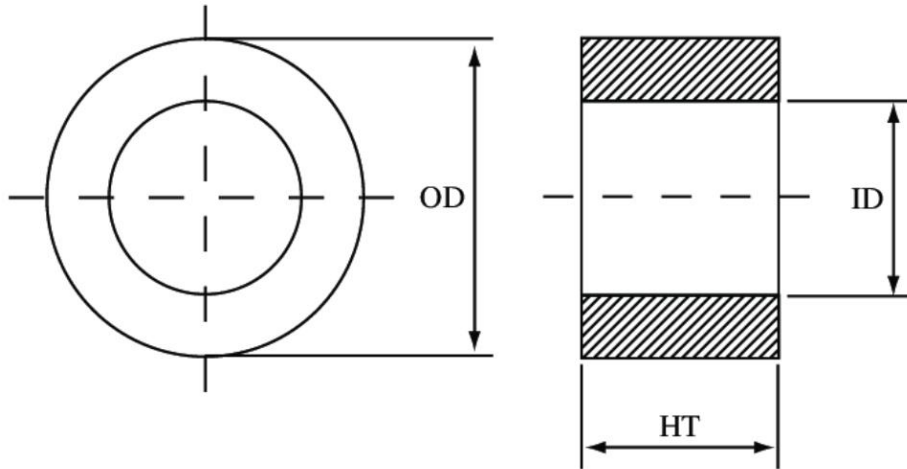


## NANOCRYSTALLINE MINIATURE CORES

**PART#: 17.8-13-5**



### CORE AND CASE DIMENSIONS

CORE OD MM	CORE ID MM	CORE HT MM	CASE OD MM	CASE ID MM	CASE HT MM
17.80	13.00	5.00	19.60	11.40	6.40

### CORE SPECIFICATIONS

- Outer Diameter D: 17.8mm (+0.5/-0)mm
- Inner Diameter d: 13mm (-0.5/+0)mm
- Height h: 5mm (+0.2/-0)mm
- Cross-Sectional Area  $A_e$ : 0.11cm<sup>2</sup>
- Mean Magnetic Path Length  $l_e$ : 4.84cm
- Stacking Factor: 80%
- Average Core Weight: 3.4grams
- Operating Temperature: -25°C~+110°C
- Max Temperature:- 130°C
- Input Current (mA):- 175mA
- Guaranteed Minimum Output Voltage (mV): 0.3mV
- Frequency: 50Hz
- $Al_s(\mu H)$  Typical: 25 $\mu H$  (@1KHZ/1.0V)

