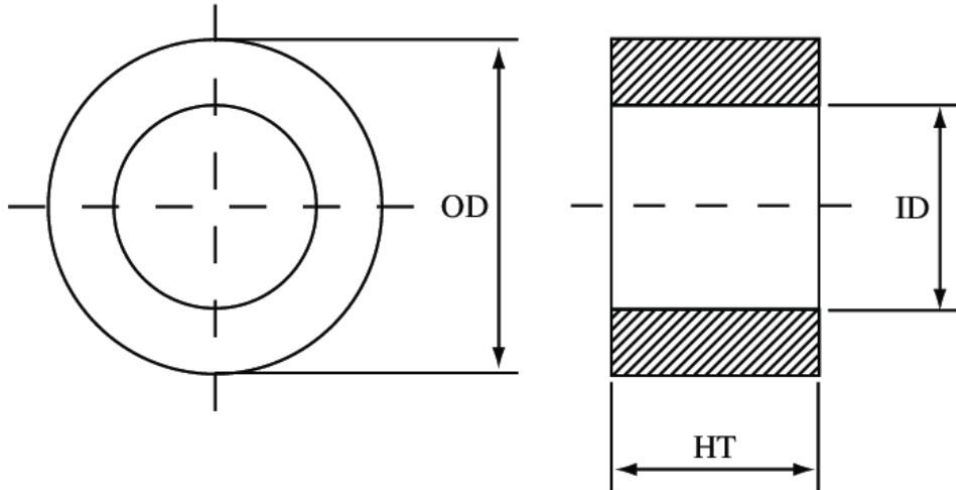


NANOCRYSTALLINE MINIATURE CORES

PART#: 20-14-5



CORE AND CASE DIMENSIONS

CORE OD MM	CORE ID MM	CORE HT MM	CASE OD MM	CASE ID MM	CASE HT MM
20.00	14.00	5.00	22.60	12.50	6.40

CORE SPECIFICATIONS

- Outer Diameter D: 20mm (+0.5/-0)mm
- Inner Diameter d: 14mm (-0.5/+0)mm
- Height h: 5mm (+0.2/-0)mm
- Cross-Sectional Area A_e : 0.12cm²
- Mean Magnetic Path Length l_e : 5.34cm
- Stacking Factor: 80%
- Average Core Weight: 4.6grams
- Operating Temperature: -25°C~+110°C
- Max Temperature:- 130°C
- Input Current (mA):- 25mA
- Guaranteed Minimum Output Voltage (mV): 1.10mV
- Frequency: 50Hz
- $Al_s(\mu H)$ Typical: 45 μH (@1KHZ/1.0V)

