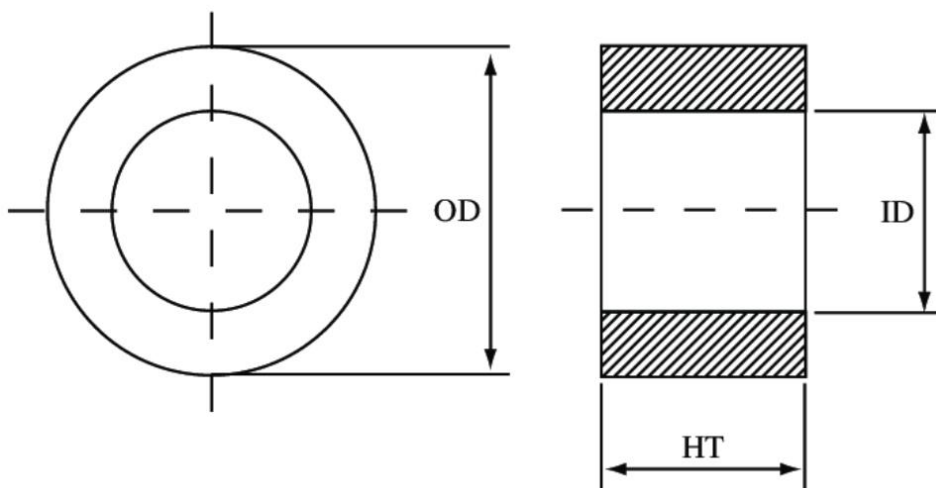


NANOCRYSTALLINE MINIATURE CORES

PART#: 24-17-20



CORE AND CASE DIMENSIONS

CORE OD MM	CORE ID MM	CORE HT MM	CASE OD MM	CASE ID MM	CASE HT MM
24.00	17.00	20.00	26.90	14.80	23.00

CORE SPECIFICATIONS

- Outer Diameter D: 24mm (+0.5/-0)mm
- Inner Diameter d: 17mm (-0.5/+0)mm
- Height h: 20mm (+0.2/-0)mm
- Cross-Sectional Area A_e : 0.56cm²
- Mean Magnetic Path Length l_e : 6.44cm
- Stacking Factor: 80%
- Average Core Weight: 26grams
- Operating Temperature: -25°C~+110°C
- Max Temperature:- 130°C
- Input Current (mA):- 25mA
- Guaranteed Minimum Output Voltage (mV): 4.2mV
- Frequency: 50Hz
- $AIs(\mu H)$ Typical: 165 μH (@1KHZ/1.0V)

