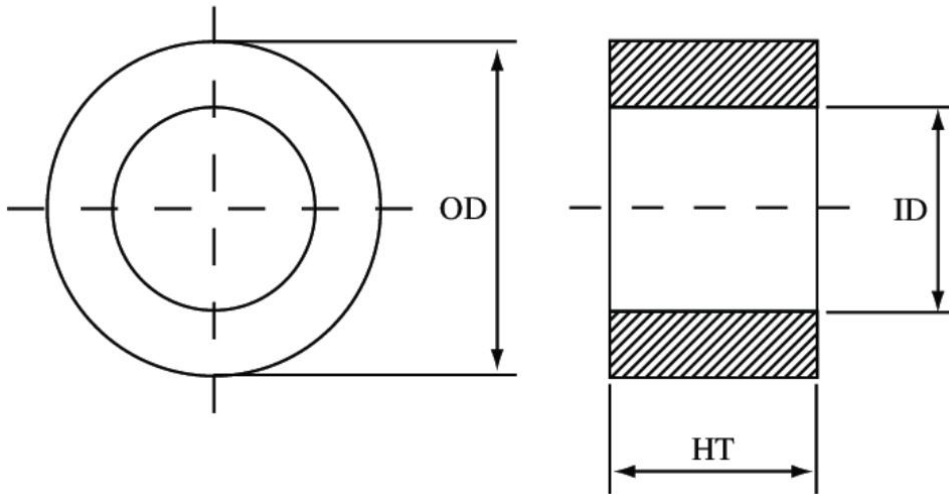


NANOCRYSTALLINE MINIATURE CORES

PART#: 38.1-30.4-6.5



CORE AND CASE DIMENSIONS

CORE OD MM	CORE ID MM	CORE HT MM	CASE OD MM	CASE ID MM	CASE HT MM
38.10	30.40	6.50	40.00	28.70	8.50

CORE SPECIFICATIONS

- Outer Diameter D: 38.1mm (+0.5/-0)mm
- Inner Diameter d: 30.4mm (-0.5/+0)mm
- Height h: 6.5mm (+0.2/-0)mm
- Cross-Sectional Area A_e : 0.20cm²
- Mean Magnetic Path Length l_e : 10.75cm
- Stacking Factor: 80%
- Average Core Weight: 16.0grams
- Operating Temperature: -25°C~+110°C
- Max Temperature:- 130°C
- Input Current (mA):- 25mA
- Guaranteed Minimum Output Voltage (mV): 0.15mV
- Frequency: 50Hz
- $A_{ls}(\mu H)$ Typical: 13 μH (@1KHZ/1.0V)

